




NAME \_\_\_\_\_

DATE \_\_\_\_\_

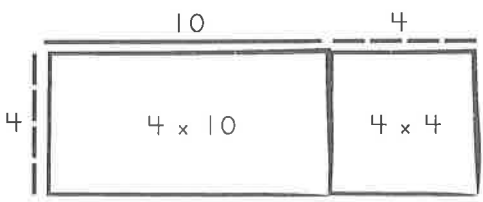



# Coins & Arrays page 1 of 2

1 Write a multiplication equation to show how much each group of coins is worth.

Coin	Group of Coins	Multiplication Equation
	<b>ex</b> 5 nickels	$5 \times 5¢ = 25¢$
	<b>a</b> 10 nickels	
	<b>b</b> 15 nickels	
	<b>c</b> 10 dimes	
	<b>d</b> 20 dimes	
	<b>e</b> 30 dimes	
	<b>f</b> 8 quarters	
	<b>g</b> 12 quarters	
	<b>h</b> 17 quarters	

2 Label each array frame below. Then fill it in with labeled rectangles. Write an equation to show how you got the total, and then write a multiplication equation to match the array. (Cut out the base ten area pieces if you want to build the arrays.)



Labeled Array Frame & Rectangles	Addition Equation	Multiplication Equation
<p><b>ex</b></p> 		
<p><b>a</b></p> 		

(continued on next page)

NAME \_\_\_\_\_

DATE \_\_\_\_\_

**Coins & Arrays** page 2 of 2

Labeled Array Frame & Rectangles	Addition Equation	Multiplication Equation
<b>b</b> 		
<b>c</b> 		

**3 CHALLENGE** Raina said, “How many different ways are there to make 30¢ using pennies, nickels, dimes, and/or quarters?”

**a** What is this problem asking you to do?

**b** Check the strategy you plan to use (check one):

guess and check

make a table or an organized list

draw a diagram

other

**c** Show your work below.

**d** There are \_\_\_\_\_ different ways to make 30¢ using pennies, nickels, dimes, and/or quarters.

*(continued on next page)*